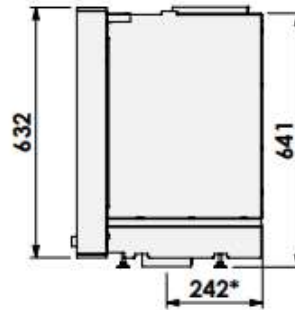
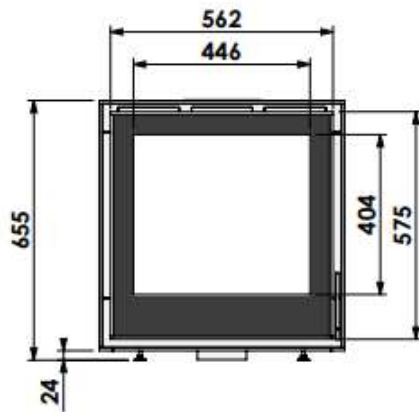
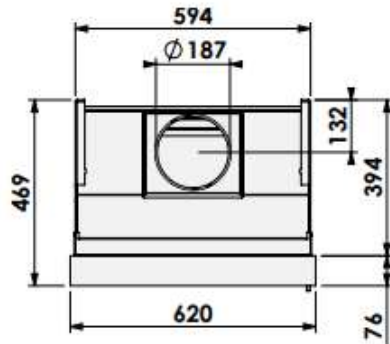




HUIS & HAARD

haarden & kachels



inbouw, opbouw kader
built-in, surface-mounted frame

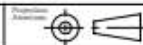
* = air inlet \varnothing 125 mm

barbas

Barbas Bellfires B.V.
Hallenstraat 17
5531 AB Bladel
The Netherlands
www.barbasbellfires.com

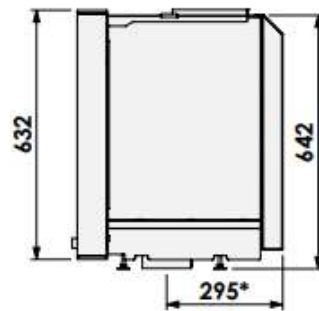
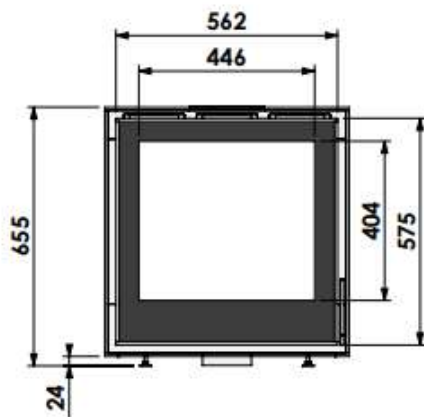
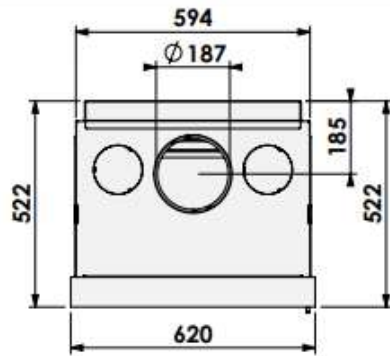
Cuatro-7 60-60

Modifications reserved



1:15
mm

0



inbouw, opbouw kader, convectie
 built-in, surface-mounted frame, convection casing

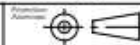
* = air inlet \varnothing 125 mm

barbas

Barbas Bellfires B.V.
 Hallenstraat 17
 5631 AB Bladel
 The Netherlands
 www.barbasbellfires.com

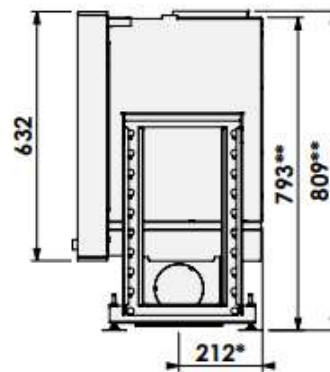
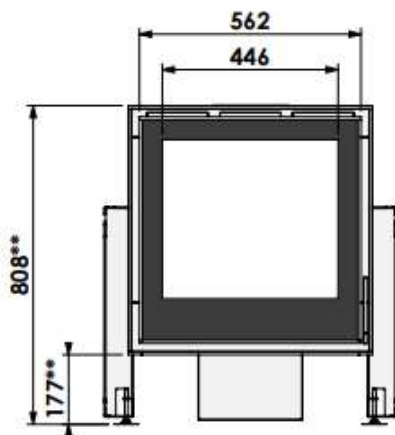
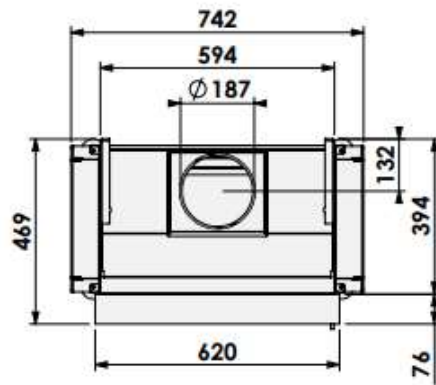
Cuatro-7 60-60

Modifications reserved



1:15
 mm

0



inbouw, opbouw kader, luchtbox
 built-in, surface-mounted frame, airbox

* = optional air inlet \varnothing 125 mm

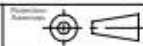
** = optional extended adjustable legs, max +150 mm

barbas

Barbas Bellfires B.V.
 Hallenstraat 17
 5531 AB Bladel
 The Netherlands
 www.barbasbellfires.com

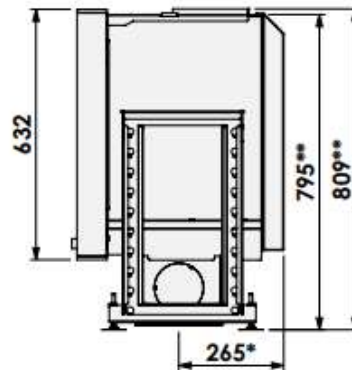
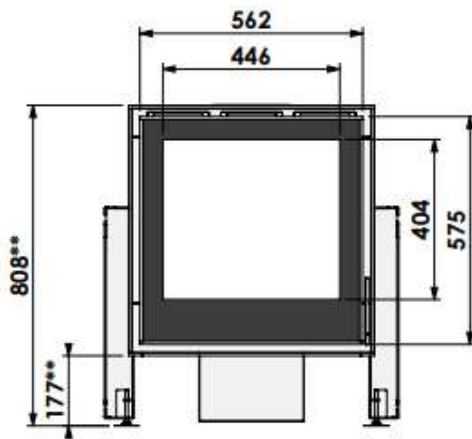
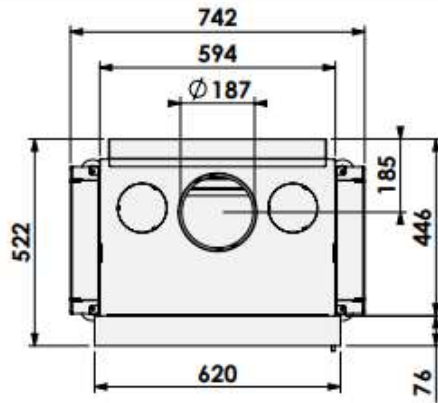
Cuatro-7 60-60

Modifications reserved



Scale: 1:15
 Unit: mm

Version: 0



inbouw, opbouw kader, luchtbox, convectie
 built-in, surface-mounted frame, airbox, convection casing

* = optional air inlet \varnothing 125 mm

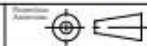
** = optional extended adjustable legs, max +150 mm

barbas

Barbas Bellfires B.V.
 Hallenstraat 17
 6531 AB Bladel
 The Netherlands
 www.barbasbellfires.com

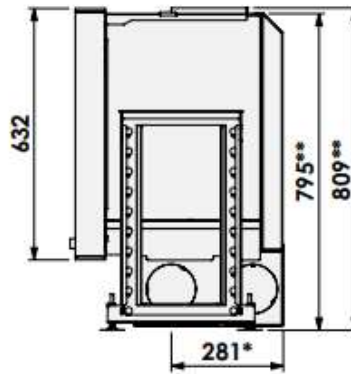
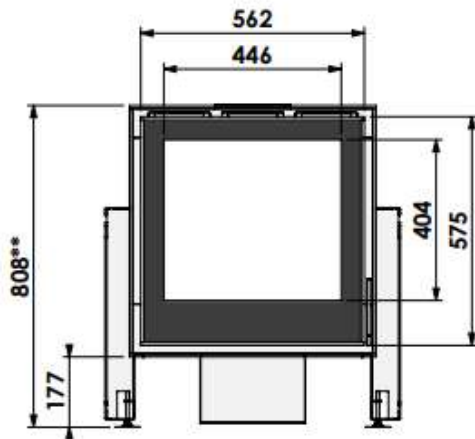
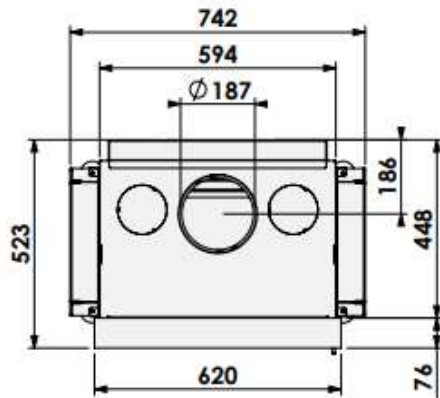
Cuatro-7 60-60

Modifications reserved



1:15
mm

0



inbouw, opbouw kader, Opti-Air en/of ventilator
 built-in, surface-mounted frame, Opti-Air and/or fan

* = optional air inlet $\varnothing 125$ mm

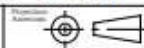
** = optional extended adjustable legs, max +150 mm

barbas

Barbas Bellfires B.V.
 Hallenstraat 17
 5531 AB Bladel
 The Netherlands
 www.barbasbellfires.com

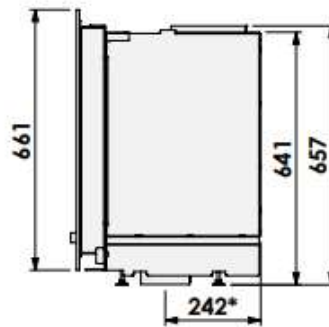
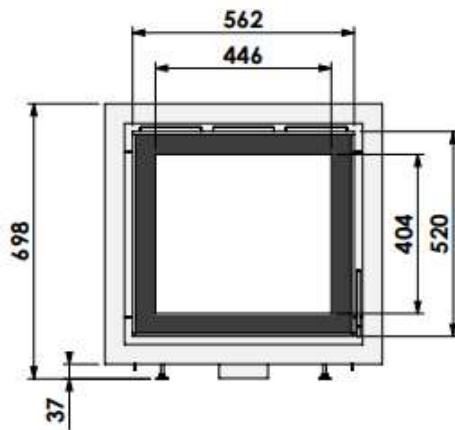
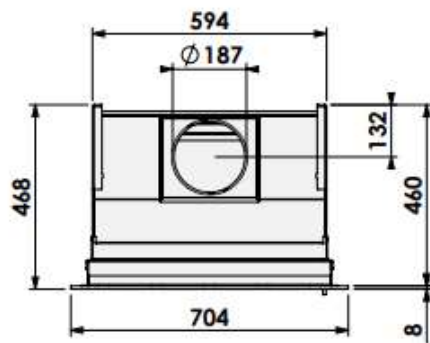
Cuatro-7 60-60

Modifications reserved



1:15
mm

0



inbouw, klassiek kader
 built-in, classic frame

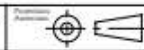
* = air inlet \varnothing 125 mm

barbas

Barbas Bellfires B.V.
 Hallenstraat 17
 5531 AB Bladel
 The Netherlands
 www.barbasbellfires.com

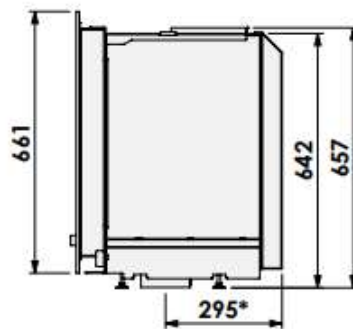
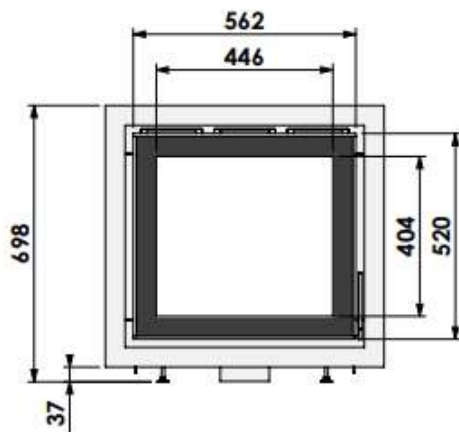
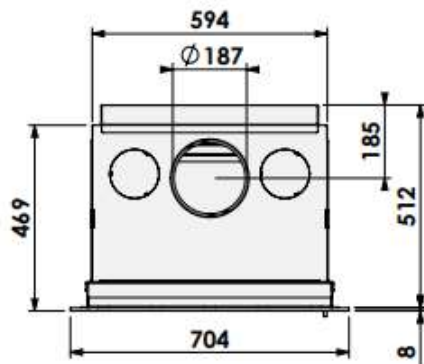
Model: Cuatro-7 60-60

Modifications reserved



Scale: 1:15
 mm

Revision: 0



inbouw, klassiek kader, convectie
 built-in, classic frame, convection casing

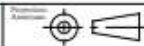
* = air inlet Ø125 mm

barbas

Barbas Bellfires B.V.
 Hallenstraat 17
 5531 AB Bladel
 The Netherlands
 www.barbasbellfires.com

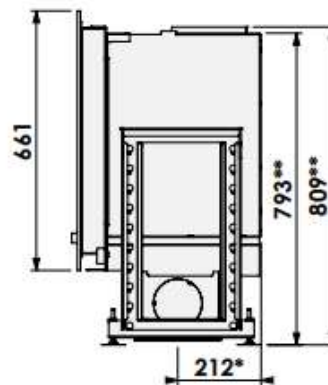
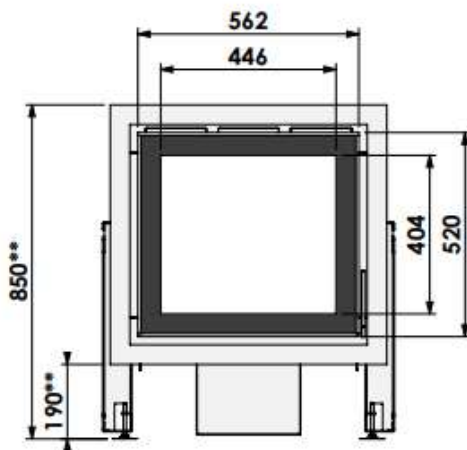
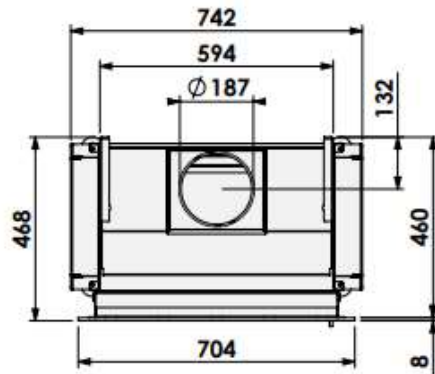
Cuatro-7 60-60

Modifications reserved



Scale: 1:15
 Unit: mm

Revision: 0



inbouw, klassiek kader, luchtbox
 built-in, classic frame, airbox

* = optional air inlet \varnothing 125 mm

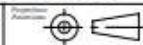
** = optional extended adjustable legs, max +150 mm

barbas

Barbas Bellfires B.V.
 Hallenstraat 17
 5531 AB Bladel
 The Netherlands
 www.barbasbellfires.com

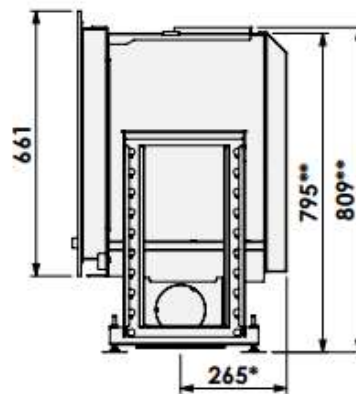
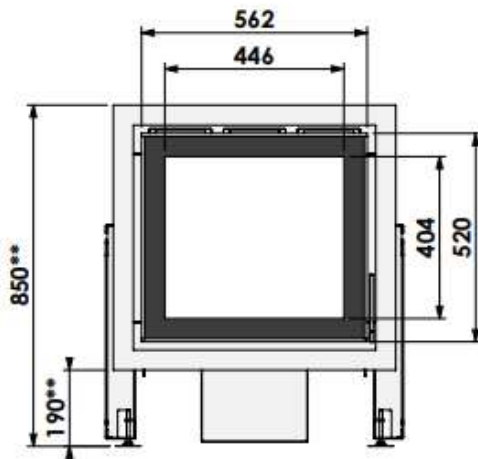
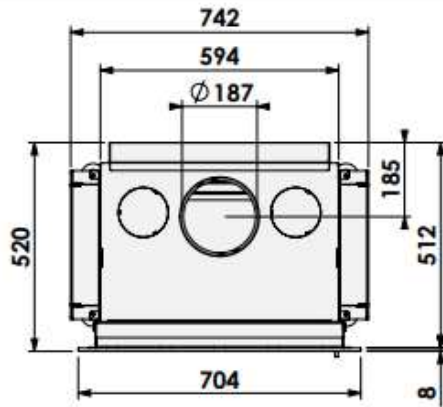
Cuatro-7 60-60

Modifications reserved



1:15
 mm

0



inbouw, klassiek kader, luchtbox, convectie
 built-in, classic frame, airbox, convection casing

* = optional air inlet \varnothing 125 mm

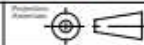
** = optional extended adjustable legs, max +150 mm

barbas.

Barbas Bellfires B.V.
 Hallenstraat 17
 5531 AB Bladel
 The Netherlands
 www.barbasbellfires.com

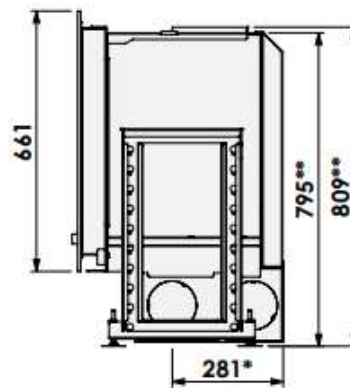
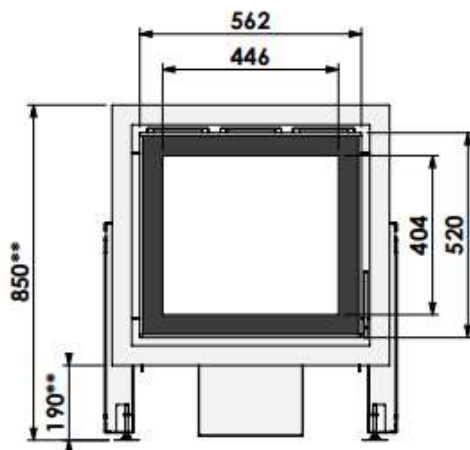
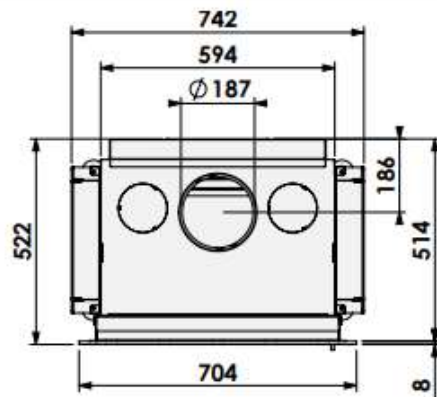
Cuatro-7 60-60

Modifications reserved



Scale: 1:15
 Unit: mm

0



inbouw, klassiek kader, Opti-Air en/of ventilator
 built-in, classic frame, Opti-Air and/or fan

* = optional air inlet \varnothing 125 mm

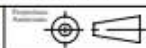
** = optional extended adjustable legs, max +150 mm

barbas.

Barbas Bellfires B.V.
 Hallenstraat 17
 5531 AB Bladel
 The Netherlands
 www.barbasbellfires.com

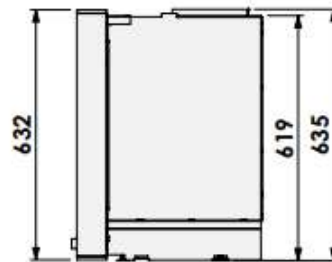
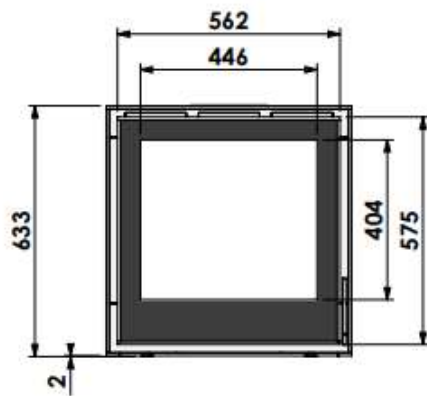
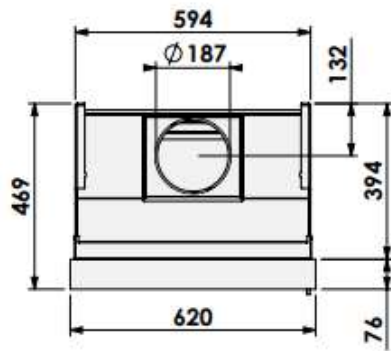
Cuatro-7 60-60

Modifications reserved



1:15
 mm

0



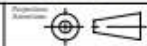
inzet, opbouw kader
inset, surface-mounted frame

barbas

Barbas Bellfires B.V.
Hallenstraat 17
5531 AB Bladel
The Netherlands
www.barbasbellfires.com

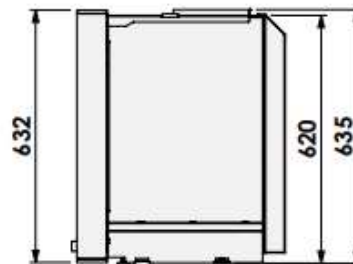
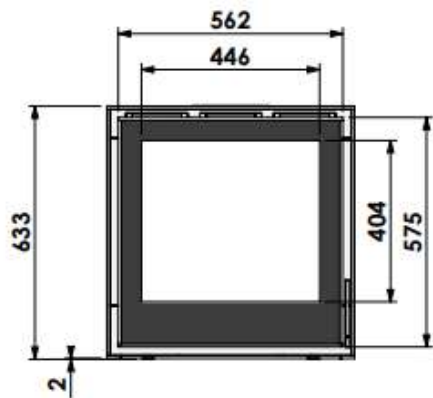
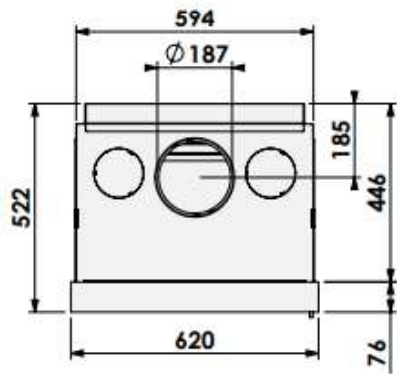
Cuatro-7 60-60

Modifications reserved



1:15
mm

0



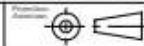
inzet, opbouw kader, convection
 inset, surface-mounted frame, convection casing

barbas

Barbas Belfires B.V.
 Hallenstraat 17
 5631 AB Bladel
 The Netherlands
 www.barbasbelfires.com

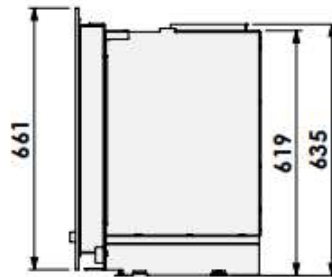
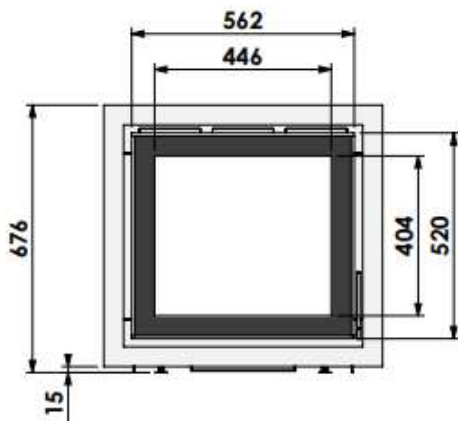
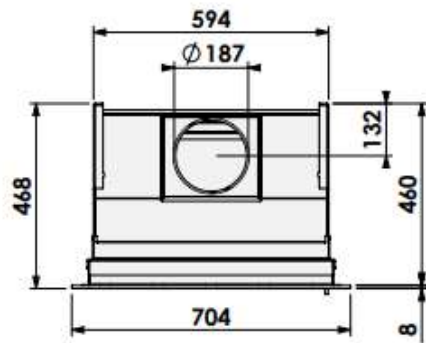
Cuatro-7 60-60

Modifications reserved



Scale: 1:15
 Unit: mm

0



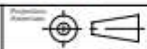
inset, klassiek kader
inset, classic frame

barbas

Barbas Bellfires B.V.
Hallenstraat 17
5531 AB Bladel
The Netherlands
www.barbasbellfires.com

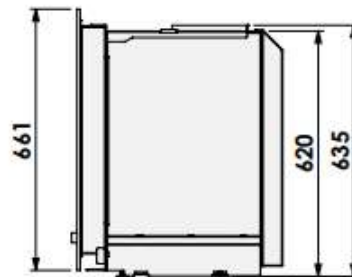
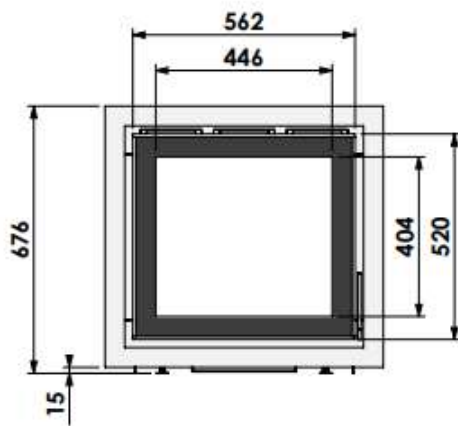
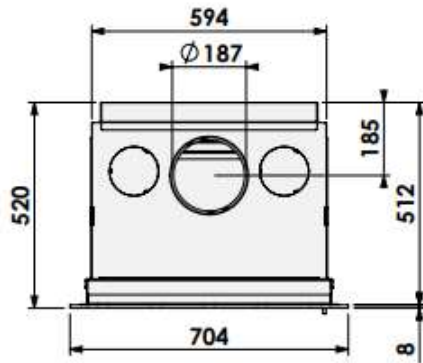
Cuatro-7 60-60

Modifications reserved



1:15
mm

0



inzet, klassiek kader, convectie
 inset, classic frame, convection casing

barbas

Barbas Bellfires B.V.
 Hallenstraat 17
 5531 AB Bladel
 The Netherlands
 www.barbasbellfires.com

Cuatro-7 60-60

Modifications reserved



Scale: 1:15
 Unit: mm

Version: 0

